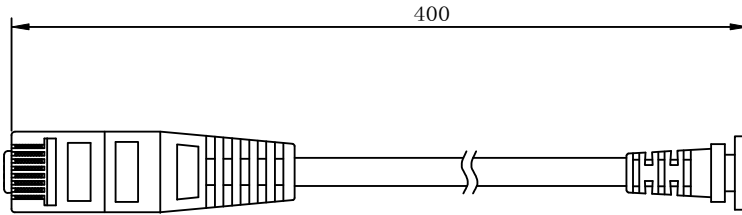
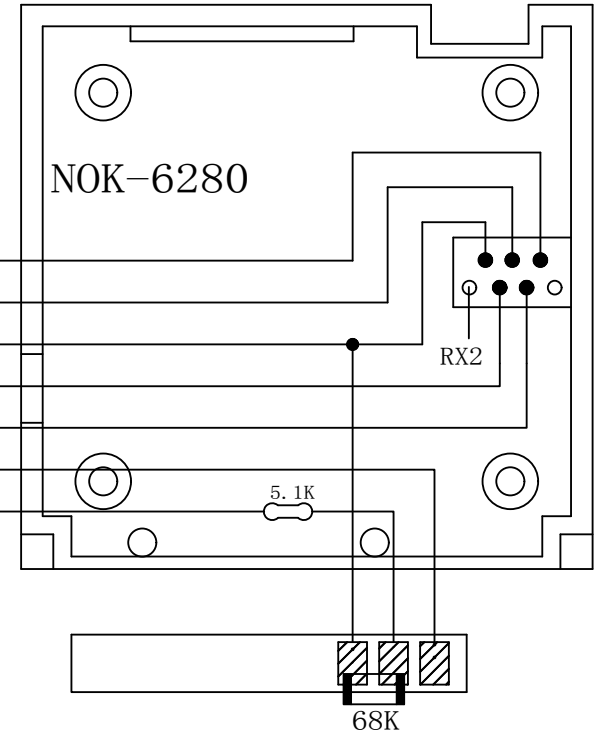


# PRODUCTION DRAWING

8Black VPP  
 7Brown GND  
 6Red MBUS  
 5Orange RX  
 4Yellow TX  
 3Green BSI  
 2Purple X  
 1Blue VBAT



8Black VPP  
 6Red MBUS  
 7Brown GND  
 5Orange RX  
 4Yellow TX  
 1Blue VBAT  
 3Green BSI



**NOTE:**

- a. EACH CONDUCTOR MUST PASS CONTINUITY TEST AND SHORT OPEN INTERMITTENT MISWIRING SITUATION OCCUR IS NOT PERMITTED.
- b. THE INSULATION RESISTANCE BETWEEN EACH CONDUCTORS IS 2M OHM MIN.

REV		REJIGGER		** . ±5	**° . ±5	APPRO		CUST NAME		GT APPROVE				
REJIGGER DATE		MATTER		* . ±0.5	*° . ±0.5	CHEC		CUST TYPE		I-PHONE ELECT-TECH(S. Z) CO., LTD				
REV		REJIGGER		. * ±0.2	. *° ±0.2	DRAW		PROD NAME	G-BOX NOK-6280	REV	PAGE	SCALE	UNIT	
REJIGGER DATE		MATTER		. ** ±0.1	. **° ±0.1	DATE	22. Arp. 06	PROD NO.		A	1/1	1:1	mm	